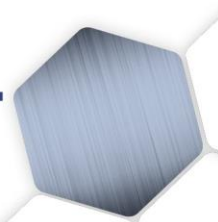
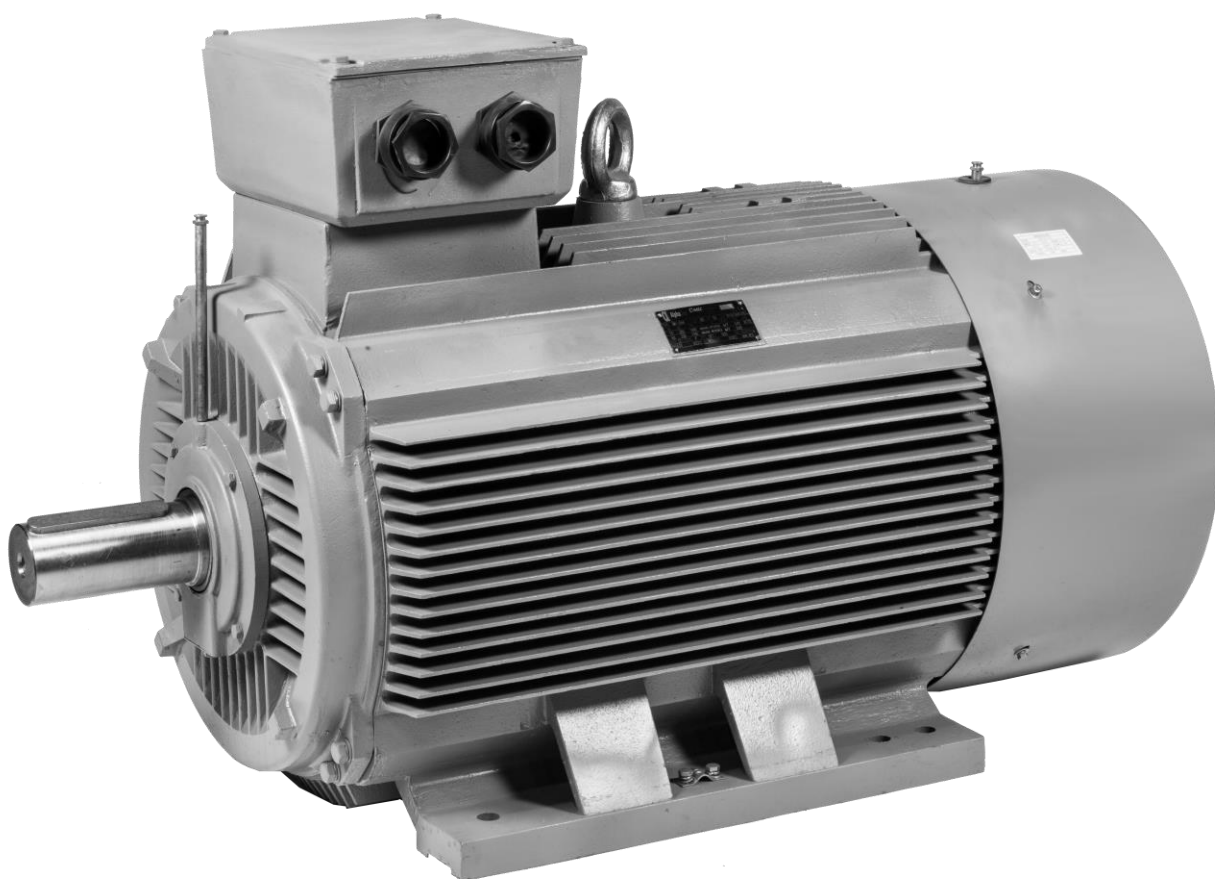


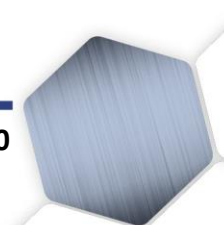
– Mounting & Maintenance Instructions –

OMT1 & OMT2 Motors





Inhalt	Seite
1 General information	3
2 Delivery	3
3 Mounting	3
4 Coupling	3
4.1 Direct coupling	3
4.2 Indirect coupling	4
4.2.1 Flat belt or V-belt	4
4.2.2 Spur gear transmission	4
4.3 Shaft couplings	4
5 Electrical connections	4
5.1 General information	4
5.2 Circuit details	5
6 Putting into service	6
7 Maintenance	6
7.1 Dust	6
7.2 Moisture	6
7.3 Wear & vibrations	7
7.4 Greasing	7
7.5 Replacement of ball or roller bearing	7
8 Bearing types	8
9 Regrasing interval of bearings	8
10 Disposal	9
11 Motor spare part list / exploded view	10



1 General information

This manual concerns normal three phase induction motors with an output varying from small to middle size; they are externally cooled, totally enclosed, supplied in a cast iron or aluminium frame and provided with ball bearings or roller bearings, lubricated with grease.

2 Delivery

After receipt, remove the package material, if any, and mind the parts that have been delivered loose.

Check the motor to see whether transport damage has occurred.

You should be able to rotate the shaft easily and smoothly by hand. Compare the details on the nameplate with those of the power network and with the requirements of the motor.

3 Mounting

The motor must be fixed on a stable, clean and flat foundation with good fitting foundation bolts, using washers.

Never mount a motor manufactured for a horizontal mounting on a surface with an angle of inclination of more than 15 degrees without consulting the supplier in advance. Foot & flange motors always have to be mounted in such a way that the drain holes, if any, are situated at the bottom, otherwise you risk that moisture will condensate in the motor and cannot be drained off. To this end you need to remove the drain plugs.

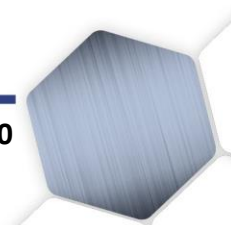
Under no circumstances the entrance of cooling air, drafted by the cooling fan, may be obstructed. This will cause overheating of the motor. Special attention is required where motors will be located in small enclosed rooms.

The ambient cooling temperature must not exceed 40 °C, unless otherwise agreed upon at the time of ordering.

4 Coupling

4.1 Direct coupling

The motor and driven shafts must be accurately aligned. In case of a flexible coupling, the manufacturers distance between the parts to be coupled must be adhered to, also the degree of misalignment must be within the makers tolerance. We do not recommend using solid couplings.



4.2 Indirect coupling

4.2.1 Flat belt or V-belt

Mount the motor on slide rails in order to adjust belt tension. The belt pulley has to be fitted hard up the shoulder of the shaft. The pulley center line should be within the shaft center line.

Use correctly sized belts with a correct profile and in sufficient numbers to drive without slip and undue tension. Align both pulleys accurately in such a way that the center of both pulleys are in line.

A belt pulley, which is either too small or too wide, or too high, a tension on the belt may damage the bearing or cause a shaft break.

In case of doubt, consult the supplier.

4.2.2 Spur gear drives

The motor and the driven machine have to be positioned in such a way that the two gears align correctly. The motor should then be fixed with dowels.

4.3 Shaft couplings

Remove the corrosion protection from the shaft extension and the coupling elements. The coupling parts, belt pulleys and gear wheels need to be dynamically balanced and fit easily on the shaft and to be provided with good fitting keyway.

In the factory the rotor has already been dynamically half-key balanced.

The dimension and the tolerances of the shaft extension and the key are indicated on the motor dimension sheet. Assembling the coupling elements has to be done with great care. Careless handling may damage the bearings, shaft or end shields.

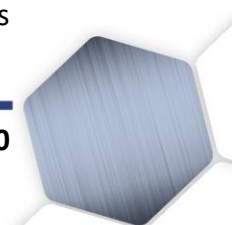
Do not file or emery on the shaft to achieve a fit!

When fitting pulleys couplings or bearings, we recommend using heat elements; therefore the part to be mounted has to be heated till $\pm 100^{\circ}\text{C}$. A large washer and setscrew can be useful for pushing on pulleys using the tapped hole in the shaft. Only use proper tools for removing the above mentioned parts e.g. pulley drawers.

5 Electrical connections

5.1 General information

On delivery the motor will rotate clockwise looking at the drive when the phases L1, L2 and L3 are connected respectively to the connection terminals U1,V1 and W1. Exchanging of any two-phase lines changes the direction of rotation. When a motor is



only suited for one direction of rotation, it is indicated with an arrow on the motor fan cowl.

Connecting cables must comply with the IEC regulations. Line fuses only protect the cables in case of short-circuiting and do not constitute a safeguard against the overheating of the winding caused by overload. Therefore it is recommended that a motor start- and overload protection is mounted, giving single phase and overload protection.

5.2 Circuit details

Normally our motors are provided with a terminal box with six connections, to which six leads from the winding are connected either in a delta connection or in a star connection by means of connection links. Usually two voltages are indicated on the rating-plate of these motors, which mean that the motor can be connected to a circuit having one of these voltages.

If the mains voltage is corresponding with the lowest indicated voltage, the winding has to be connected in delta connection (see **figure 1**); if it is corresponding with the highest indicated voltage, the winding has to be connected in star connection (see **figure 2**). A motor with e.g. 230/400V on its rating-plate is suited to be switched on directly, on a circuit with a voltage of 230 V between phases with the winding connected in a delta connection, or on a circuit with a voltage of 400 V with the winding connected in a star connection.

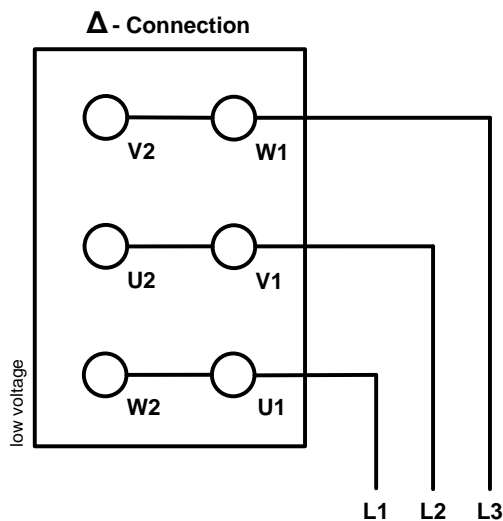


Abb. 1: Delta connection

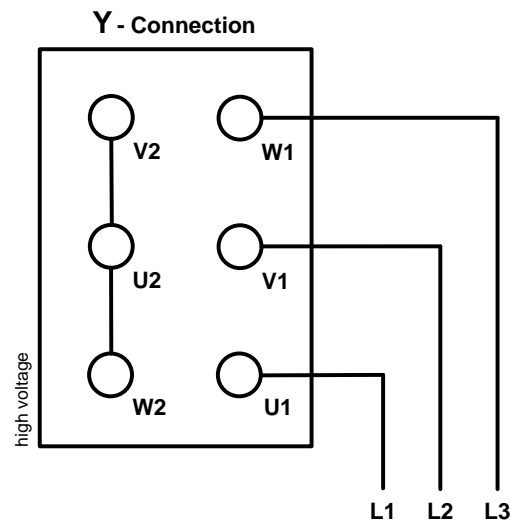
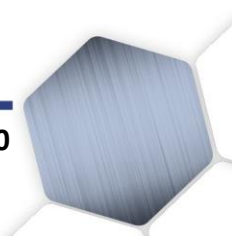


Abb. 2: Star connection

If the motor is switched on with a star-delta starter the motor is only suited for a main voltage on the rating-plate, this is the delta voltage. In this case, the connection strips on the terminal box have to be removed when the motor is connected. The star/delta connection will be made successively during the start up.





If only one voltage is indicated on the nameplate together with the delta sign, the motor can be switched on directly at the indicated voltage or with a star/delta starter.

Pole change motors (for two or more speeds) are connected according to a diagram sent together with the motor.

6 Putting into service

Before putting a motor into service, one should check especially when the motor has not been used for a long time that the insulation resistance of the winding is sufficient. The insulation resistance has to be at least 1.000Ω per Volt, what means at least 400.000Ω on a supply voltage of 400V.

If the insulation resistance is not high enough, the motor has to be dried out revarnished or rewound. Check all connections and adjust the thermal protection units to the correct current. Switch the motor on in a no load state to determine the direction of rotation. Load the motor gradually and check whether it runs without vibration. The motor can be used under a variation of the main voltage $\pm 5\%$ or frequency variation of max. $\pm 2\%$ compared to the nominal frequency or nominal voltage, in compliance with the international regulations for electric machines.

7 Maintenance

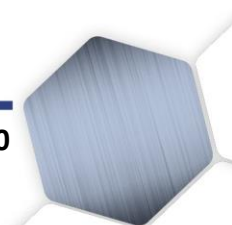
The totally enclosed and fan cooled three phase squirrel cage induction motors require very little maintenance. Nevertheless it is recommended to check the motor regularly in order to prevent a breakdown caused by dust, moisture, vibrations, too much or too little greasing.

7.1 Dust

The outer parts of the totally enclosed motors, especially the cooling ribs or cooling channels, have to be kept as clean as possible in order not to obstruct the cooling air from the fan extracting the heat from the motor frame.

7.2 Moisture

Motors that are stalled for a long time, should be started from time to time to prevent moisture affecting the windings in the long term. Before putting the motor into service, one should check especially when the motor has not been used for a long time that the insulation resistance of the winding is sufficient.





7.3 Wear & vibrations

To prevent abnormal wear & vibration, one should:

- a. Take care that the tension of the belt or the chain is not too high;
- b. Check whether the mounting of directly coupled machines is correct;
- c. Check whether the foundation bolts to fasten the motor and the slide rails are tightly fixed.

7.4 Greasing

Before the motor leaves the factory, the bearings are filled with a high quality Lithium base grease. This grease can be mixed with most of the commonly used ball bearing greases that are lithium-based so that nearly every grease can be used for regreasing.

Motors from frame size 56 up to frame size 250 are fitted with both sides sealed ball bearings (2RZ) those filled with grease by the bearing manufacturer "for life time". The bearings for those frame sizes without regreasing-divices are completely free of maintenance. Regular checks can be limited only towards temperature and noise.

Motors from frame sizes 280 up to frame size 400 are equipped with open bearings, that are filled for 2/3 when the motor leaves the factory. The drive-end shields are fitted with bearing covers. The lubrication must take place when the machine is running. The old grease ejects from the grease valve thus maintaining the correct level and avoiding overfilling which would be harmful.

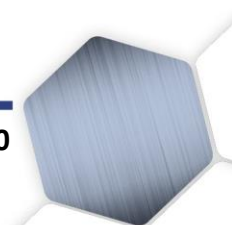
7.5 Replacement of ball or roller bearing

When a bearing has to be replaced, the old bearing has to be removed from the shaft with proper tools in order not to damage the shaft. Thereupon the bearing location on the shaft has to be cleaned and checked thoroughly.

After the new ball bearing resp. the inner ring of a roller bearing has been heated-up to ca. 80°C till 90°C, it must be mounted on the shaft very soon. If necessary, a short pipe that fits onto the inner bearing ring can be used to push the bearing to its correct position.

In no case, it is allowed to blow on the outer ring of the bearing.

Do not mount the end shield until the bearing has cooled down.





8 Bearing types

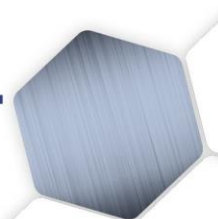
Motortype	Poles	Drive-end	Non-drive-end
OMT2-56	2/4	6201 2RZ C3	6201 2RZ C3
OMT2-63	2/4	6201 2RZ C3	6201 2RZ C3
OMT2-71	2/4/6	6202 2RZ C3	6202 2RZ C3
OMT1/OMT2-80	2/4/6/8	6204 2RZ C3	6204 2RZ C3
OMT1/OMT2-90	2/4/6/8	6205 2RZ C3	6205 2RZ C3
OMT1/OMT2-100	2/4/6/8	6206 2RZ C3	6206 2RZ C3
OMT1/OMT2-112	2/4/6/8	6306 2RZ C3	6306 2RZ C3
OMT1/OMT2-132	2/4/6/8	6308 2RZ C3	6308 2RZ C3
OMT1-160	2/4/6/8	6309 2RZ C3	6309 2RZ C3
OMT1-180	2/4/6/8	6311 2RZ C3	6311 2RZ C3
OMT1-200	2/4/6/8	6312 2RZ C3	6312 2RZ C3
OMT1-225	2/4/6/8	6313 2RZ C3	6313 2RZ C3
OMT1-250	2/4/6/8	6314 2RZ C3	6314 2RZ C3
OMT1-280	2	6314 C3	6314 C3
OMT1-280	4/6/8	6317 C3	6317 C3
OMT1-315	2	6317 C3	6317 C3
OMT1-315	4/6/8	6319 C3	6319 C3
OMT1-355	2	6317 C3	6317 C3
OMT1-355	4/6/8	6322 C3	6322 C3
OMT1-400	2	6320 C3	6320 C3
OMT1-400	4/6/8	6326 C3	6326 C3

9 Regrasing interval of bearings

By the term “greasing interval” we mean the number of working hours after which the bearing lubricant has to be replaced.

Electric motors have such a wide range of application that they must cope with many adverse conditions as for instance dust, moisture, vibration, temperature, chemicals, marine atmosphere and of course, the mounting position and loading of the driven machine.

Generally we can say lubrication life is a product of time, speed and the bearing size. Due to the impact of all these factors, it is practically impossible to determine any exact values that are valid under all circumstances. Nevertheless it is necessary to provide at least some guidelines concerning greasing to the user.





Under normal load and environmental conditions the quality of the grease ensures proper operation of the motor for about 20000 service hours with 2-pole design and 40000 service hours with multi pole design. If not otherwise agreed upon the grease need not be refilled during this period. Nevertheless the condition of the grease filling should be occasionally checked also within the said lubricating intervals.

The stated service hours are only current under operation with rated speed. For relubrication thoroughly clean the bearings with a suitable solvent and use the same or substitute grades specified by the motor manufacturer. Bear in mind, however, that the bearings should be filled only up to about 2/3 of their free space as a complete filling of the bearings and bearing covers results in an increased bearing temperature and therefore in increased wear. For bearings with relubricating facility regrease at the grease fitting with the motor running according to the grease amount required for the motor in case. The relubrication intervals should be looked up in the following table:

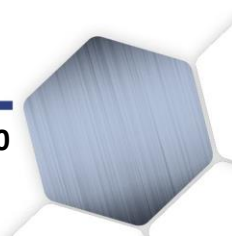
A chemically aggressive environment, extreme moistness, strong vibrations, high or low ambient temperatures are not normal circumstances and such conditions must be taken into account.

Frame size	Motors with 2 poles	Motors with 4 and multi-poles
from 280 up to and incl. 400	2.000 hours	4.000 hours

10 Disposal

The applicable national regulations are to be observed with regard to disposal of the machines.

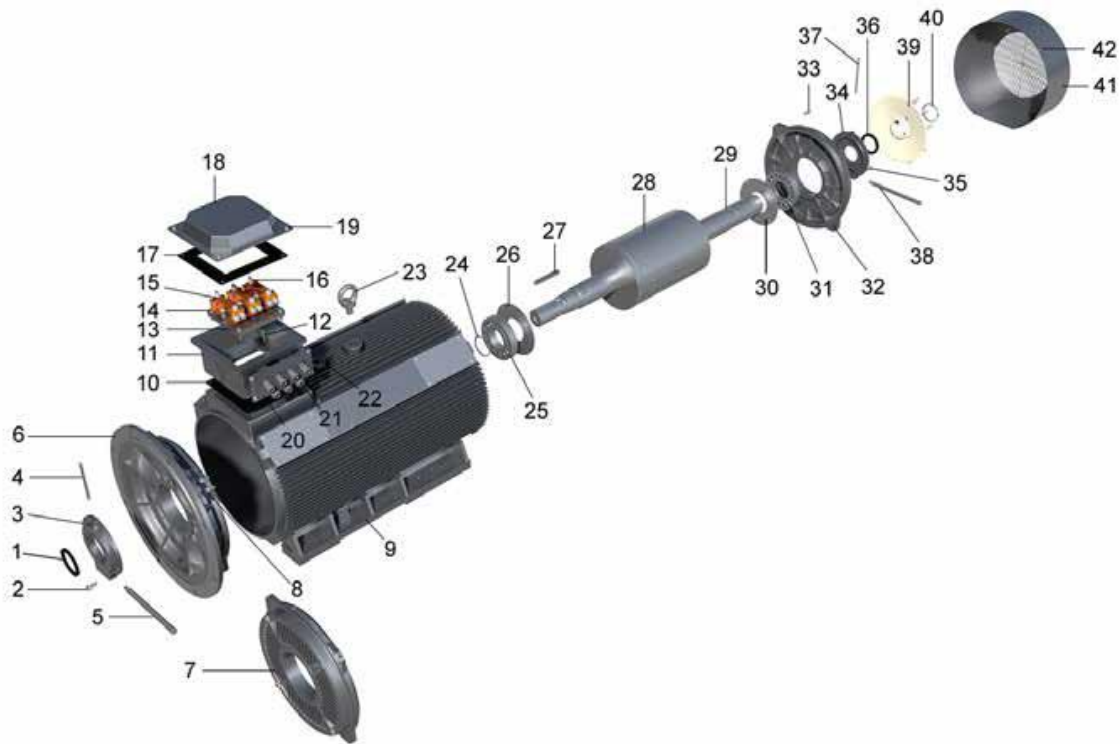
It is furthermore to be ensured that oils and greases are collected for disposal in accordance with the corresponding regulations on waste oils. They must not be contaminated with solvents, cold cleaners and paint residues. The individual materials should be segregated for recycling. The most important components are grey cast iron (housing), steel (shaft, stator and rotor lamination, small parts), aluminium (rotor), copper (windings) and plastics (insulation materials, such as polyamide, polypropylene, etc.). electronic components such as circuit boards (converter, sensors, etc.) are recycled separately.





11 Motor spare part list / exploded view

Three-phase motor with squirrel-cage rotor



- | | | | |
|----|--|----|---|
| 1 | V-ring, oil seal DE | 22 | Mounting screw adoption plate |
| 2 | Mounting screw bearing cover DE | 23 | Lifting eye |
| 3 | Outside bearing cover DE | 24 | Circlip bearing DE |
| 4 | Grease-inlet for regreasing device DE | 25 | Bearing DE |
| 5 | Grease-outlet for regreasing device DE | 26 | Inside bearing cover DE |
| 6 | B5-shield DE | 27 | Key DE |
| 7 | B3-shield DE | 28 | Rotor |
| 8 | Mounting screw shield DE | 29 | Shaft |
| 9 | Motor housing | 30 | Inside bearing cover NDE |
| 10 | Gasket terminal box / motor housing | 31 | Bearing NDE |
| 11 | Terminal box | 32 | Non-drive-end shield |
| 12 | Mounting screw terminal box | 33 | Mounting screw shield NDE |
| 13 | Terminal board | 34 | Outside bearing cover NDE |
| 14 | Mounting screw terminal board | 35 | Mounting screw outside bearing cover DE |
| 15 | Connetor pin | 36 | V-ring, oil seal NDE |
| 16 | Nut for connector pin | 37 | Grease inlet for regreasing device NDE |
| 17 | Gasket terminal box / terminal box cover | 38 | Grease outlet for regreasing device NDE |
| 18 | Terminal box cover | 39 | Fan |
| 19 | Mounting screw terminal box cover | 40 | Circlip fan |
| 20 | Adoption plate for cable glands | 41 | Fan cover |
| 21 | Cable gland | 42 | Mounting screw fan cover |

